



## JOSHUA

Classic 6 panel baseball cap in 100% recycled polyester with curved visor and full prostitching. Adjustable closure with hook & loop. Perfect for sunny hikes or everyday life.



### Technical accessories

<b>Composition</b>	Main Fabric: 100% certified recycled polyester twill - 200 gsm
<b>Panels</b>	6 Panels/ full stitching/ atl1
<b>Sweatband</b>	Sweatband self fabric with 4 stitching (closed on back)
<b>Eyelets</b>	6 Sewn eyelets on crown
<b>Buckram</b>	Buckram 40*40 - new
<b>Closure</b>	Hook-and-loopclosure
<b>Size</b>	-
<b>Packing</b>	-
<b>Custom code</b>	6505.00.30
<b>Made in</b>	China

### Where to customize

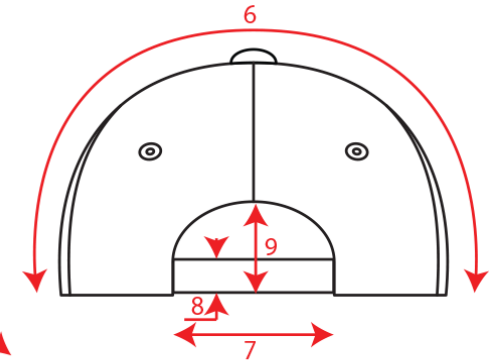
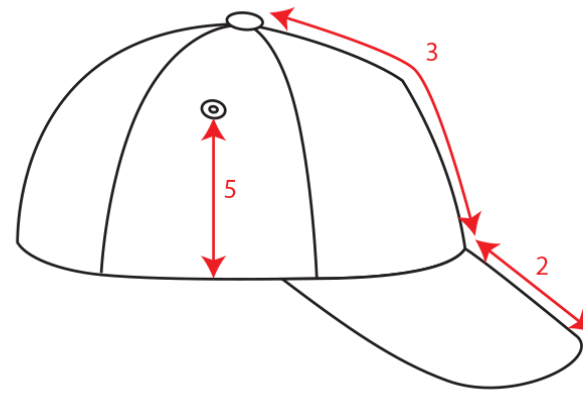
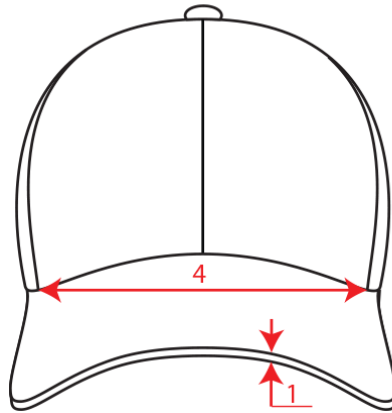
Centimeters

	Front	Back	Closure	Right	Left
Print	6 x 6	-	-	6 x 5	6 x 5
Embroidery	12 x 6	8 x 3,5	6 x 4	10 x 6	10 x 6
Heat transfer	-	-	6 x 4	6 x 4	6 x 4



**Technical Size (cm)**

- 1** 3,8
- 2** 7
- 3** 16
- 4** 18,3
- 5** 8,5
- 6** 33,5
- 7** 9
- 8** 2
- 9** 6



**Color variants ( TPX / Pantone )**

**BLACK**



HAT: 19-4006 / BLACK-6-C

**NAVY**



HAT: 19-4122 / 534-C

**DARK-GREY**



HAT: 19-3910 / COOL-GREY-11-C

**ROYAL**



HAT: 19-3964 / 3597-C

**OLIVE**



HAT: 18-0521 / 417-C

**KHAKI**



HAT: 15-1116 / 4250-C

**WHITE**



HAT: 11-0601 / WHITE